

WILLAS-ARRAY™

Willas-Array Electronics (Holdings) Limited
威雅利電子(集團)有限公司

OCT
ISSUE



公司簡介
COMPANY
BROCHURE
2020

Milestones 發展里程

2018-2020

進一步于福州、瀋陽、錦州、西安、南京、武漢、杭州、合肥及成都增加當地支援服務點，提升集團在市場上的位置。

Established local service area in major cities in China: Fuzhou, Shenyang, Jinzhou, Xian, Nanjing, Wuhan, Hangzhou, Hefei and Chengdu.

2008-2010

集團投資國內物業，于深圳設立南中國區的總部，並於上海設立北中國區的總部，鞏固授權代理商的領先地位。

Setup the headquarters offices of Southern and Northern China respectively in the company owned premises in Shenzhen and Shanghai. We become one of the top notch electronic components distributors within the region.

2002-2003

先後于上海及深圳成立分公司，並於外高橋設立保稅倉，為客戶提供更多增值服務。

Willas-Array established subsidiaries in Shanghai and Shenzhen. Also established a bonded warehouse in Waigaoqiao Free Trade Zone.

1993-2000

把業務拓展至中國主要城市，於深圳，上海及北京設立辦事處，正式重組架構為威雅利電子(集團)有限公司。

The sales network was extended to Shenzhen, Shanghai and Beijing, and restructure group to Willas-Array Electronics (Holdings) Limited.

1990

成立雅利電子(中國)有限公司開拓中國內地市場。
Established Array Electronics (China) Limited for China market development.

2013

香港交易所主板成功上市(股份代號：854)。
Listed on the Main Board of the Stock Exchange of Hong Kong (SEHK: 854).

2005

業務迅速發展至整個大中華區，成立台灣辦事處。
Business expanded rapidly in the Greater China Area and established the Taiwan Office.

2001

新加坡交易所主板成功上市(股份代號：BDR)，同時成立首支香港及國內的應用設計團隊，全力加強客戶在市場上的競爭力。

Listed on the Main Board of the Singapore Exchange (SGX: BDR). Willas-Array built the Technical Division in Hong Kong and China.

1992

威倫與雅利合併成立威雅利(集團)有限公司。
Merger of Willas and Array forming Willas-Array (Holdings) Limited.

1981-1982

創辦威倫企業有限公司及雅利電子有限公司，代理國際知名電子元器件品牌。

Established Willas Company Limited and Array Electronics Limited, distributing reputable brands of electronic components.

Business Structure 業務架構

WILLAS-ARRAY™

Willas-Array Electronics (Holdings) Limited
威雅利電子(集團)有限公司

Greater China 大中華





業務擴展 掌握先機 Business Expansion to Asia-Pacific Region

威雅利電子(集團)有限公司成立於1981年，39年來集團緊貼全球市場發展趨勢，透過公司內部的團結一致，以及與合作伙伴的緊密合作，業務由香港迅速發展至整個大中華地區，並以這些地區為核心再將業務擴展至全亞洲，與世界各地多家享負盛名的供應商建立了緊密而長遠的合作關係，在電子元器件經銷領域屹立于領導地位。

Founded in 1981, Willas-Array Electronics (Holdings) Limited has developed as one of the industry leaders of electronic components distribution in Hong Kong. The Group has always been keeping up with the market needs and trends throughout the last 39 years. By further combining the factors of dedicated staff-force with the close cooperation with business partners, Willas-Array demonstrated an extensive and rapid growth from Hong Kong to the Greater China area. The Group further expanded its core to the Asia-Pacific region, and established long term partnerships with reputable world-wide suppliers.



內外並進 攜手創新 Developing Insightful Design and Solution

集團對內部管理及外部發展均十分重視。除了提高員工效率及競爭力，並以創新、精益求精為共同目標，完善內部系統及工作流程，以提高各部門的效率，增強整體的競爭力，將服務更為優化，不但提供了多元化的電子元器件，同時開拓了最全面可靠的參考方案，以最佳的成本效益，滿足客戶、供應商和雇員的需求，成為供應商及客戶信賴的伙伴。

因此，今年集團繼續走在市場尖端，與合作伙伴及客戶攜手一同與時俱進，開拓創新的設計意念，提供高性價比的參考設計，將客戶的需求迅速轉換成產品，以強化客戶在市場上的優勢，共同實現企業及客戶雙贏的局面。

Willas-Array values internal enhancement as much as the external development. With the strong desire to strengthen the Group's creativity and productivity, Willas-Array is constantly improving the internal operation procedures, resulting in enhanced and extensive competitiveness and performance. On top of the comprehensive range of electronic components that Willas-Array offers, the Group creates reference solutions with optimal cost in order to suffice the customers, suppliers and staff.

Willas-Array continues to lead the market in the year of 2020. By developing insightful strategies with partners and customers, we converts customer needs into turn-key products via value added design and reference solution. Willas-Array will together with the customers, strive stronger superiority in the market.



威雅利電子(集團)有限公司於2001年在新加坡交易所主板成功上市(SGX 股份代號: BDR)，並於2013年在香港交易所主板上市(SEHK 股份代號: 854)。

Willas-Array Electronics (Holdings) Limited was listed on Main Board of the Singapore Exchange (SGX stock code: BDR) in 2001, then further listed on Main Board of the Stock Exchange of Hong Kong (stock code: 854) in year 2013.



供應商 Manufacturers

威雅利電子(集團)有限公司十分重視和珍惜與供應商之合作關係，我們把供應商視作最親密的伙伴，與部分遍布歐美日的國際知名供應商更是合作超過三十載的歲月。這密切的關係有助我們針對客戶的不同成本及功能需求提供穩定、充裕及多元化的貨源，靈活多變的選擇幫助客戶贏得市場份額，同時令集團在市場上的領導地位得以更加牢固。

Willas-Array Electronics (Holdings) Limited is well-positioned as a premier distributor for reasons including the strong bond and relationship with every valuable partner. With more than three decades of business partnership with some of the most reputable international principals, the close ties between Willas-Array and manufacturers ensure a reliable and comprehensive supply of world-class quality lines.

客戶 Customers

威雅利電子(集團)有限公司的客户來自不同的行業，通過互相信賴、體諒和承諾，與客戶建立了長遠、穩固且可貴的伙伴關係，並得到他們的信賴。我們以客戶的最佳利益為依託，同時這也是威雅利不斷進步的動力，配合來自不同業界的客戶，我們竭力研發，提供多元化產品及方案，滿足他們所需，成為他們最佳的選擇。

Willas-Array Electronics (Holdings) Limited serves a wide range of customers with focus of offering the best for customers' interest. Together with the trusts earned throughout the long term relationship with customers, Willas-Array develops and provides extensive solution and product portfolio for the best of her customers. The Group treats the success of customer as one of the key motivations for improvement.

Our Mission 使命

放眼亞洲 The Asia Vision

發揮集團在大中華地區的穩固基礎和銷售網路的優勢，以龐大的規模和專業的服務，發掘與亞洲區各地的合作機會，立志成為亞太區首屈一指的電子元器件經銷商之一。

Leveraging on the solid core in the Greater China Area, Willas-Array continues to expand its blueprint in Asia Pacific, and become one of the top notch electronic components distributor within the region.



優化服務 Service Optimization

積極的力求創新及服務優化，透過上下一心的團隊來提升公司價值，成為更多供應商與客戶最值得信賴和合作的伙伴。

Actively look for improvement and optimization, and in parallel enhancing the Group value from top to bottom. As a result, Willas-Array becomes one of the most trusted and reliable partners of manufacturers and customers.

增強效率 Efficiency Advancement

內部系統及流程雖然已經成熟，但我們仍不斷追求更卓越的競爭力，提高各部門效率，將人力及資源最優化，於短期內完成研發並滿足不同客戶的技術要求，鞏固及提升集團在市場中的位置，從而拓展銷售及市場業務。

To optimize all resources with constantly-improving logistics. Willas-Array strives to strengthen competitiveness and performance by advancing the efficiency inside out, leading to solidified positioning in market with an upside to further expand.

推動未來 Insightful Ideas

強大的技術部門始終與客戶站在一起，從客戶的角度出發，針對他們的成本及功能需求，致力將嶄新的開發理念融入高增值的市場需求和預算當中，提高系統設計能效，為客戶推動具成本效益的設計方案。

The highly skilled technical division bases on the needs of customer, integrates insightful ideas into optimal value-added execution. Bringing customers with high performance solutions alongside with better cost efficiency.

抱負 Our Vision

創新潛能拓展未來 • 瞻望中華掌握先機
Convert Tomorrow's Innovation into Today's Opportunity

信賴伙伴 Trust

致力為供應商及客戶建立信賴及承諾，搜羅更豐富的尖端產品供應，發掘更新更靈活的參考方案，共同面對市場上的種種挑戰。

Building trust with manufacturers and customers by constantly sourcing and providing wider range of top notch innovative product and solutions. Such practice improves the agility of Willas-Array and partner to strive for more advanced position in the dynamic market.

以人為本 Human Orientation

集團擁有高質素及經驗豐富的員工，既珍惜這些難能可貴人才，也鼓勵前線員工坦誠開放和創新意念，在不斷學習的過程中快速地成長和進步。

Always treasure the highly skilled and experienced staff as one of the most important assets. The Group encourages openness and creative thinking, promote rapid development in constant learning environment.

創造機會 Opportunities

視員工和客戶為我們的內部和外部不可或缺的重要伙伴，除了主動預期及滿足他們各項多變的需求外，並為他們提供全方位的資訊服務，給予優勢、彈性和成功機會。

Willas-Array values employees as much as the customers. The Group continuously strive to fulfill their best interests by anticipating their wide range of needs and providing them with well-rounded information, flexibility and opportunities.

堅守承諾 Integrity

堅守對顧客、合作伙伴及員工的承諾，以開放和忠誠的態度作為經營之道。力求創新的同時，並重視優良的品質保證，不論是產品或參考方案，都為客戶提供高于期望的優質產品，建立良好的品質及服務信譽。

Willas-Array stands firm on all commitments to customers, business partners and employees. With strong believe in credible, open and honest relationship, the Group respects the importance to both creativity and quality, always strive to provide better than what customer anticipated. Willas-Array believes this is the true way to develop long-term reputation in the market.

Business Scope 業務範圍

多元化的代理產品 Wide Range of Products

現今電子產業的發展日新月異，標準要求也越來越高，而每位客戶對於技術要求也不盡相同。集團提供多元化的產品線，滿足各行各業所需，包括汽車電子、信息娛樂、物聯網應用、電機驅動、開關電源及智能照明等等應有盡有。發掘高性價比的參考設計，讓客戶擁有靈活多變的選擇，以強大的適應性配合市場，率先佔領行業先機。

The Group offers a massive range of product to facilitate customers to deal with nowadays dynamic business environment. That includes: Automotive, Infotainment, Internet of Things, Motor Control, SMPS and Smart LED etc. The product portfolio provides good base for high value design and solution for customer to be agile enough to meet with their business needs.



專業的參考方案 Reference Solutions

作為行業的領導者，除了密切留意市場最新動向，為不同的客戶提供高端的電子元器件之外，集團高質素的工程師隊伍一直努力不懈地開拓嶄新的參考方案，提升產品應用技術，力求在短期內完成研發並滿足不同客戶的技術要求，縮短客戶研發周期，大大加快推出市場的時間，強化客戶在市場的競爭力。

As one of the industry leaders, Willas-Array does more than just distribute electronic components. The Group assists customers to sustain their competitive advantages by offering reference solutions, and integrating concept into application in short period of lead time. The swift solutions help customer to save previous time on development stage, and accelerate their go-to-market plan in the most agile and flexible fashion.

優越的增值服務 Value-Added Services

我們深信優越服務至為重要，並竭力為客戶提供增值服務。為進一步提升集團的營運效率，利用企業管理整合系統SAP，再配合資訊科技部門不斷改良，提升供應鏈管理、存貨、銷售和風險管理的運作；加上專業後勤及物流人員的配合，確保我們在現今激烈競爭的環境下，集團仍能一貫地為客戶提供快捷準時的送貨服務。

At Willas-Array, we believe service excellence is of utmost importance. We strive to deliver premium value-added services to customers. To further enhance the Group's operational efficiency, we have adopted a set of well-known ERP system – SAP. By refining the SAP to better suit our business environment, Willas-Array implemented a premium platform of Supply Chain Management, Inventory Management, and Sales & Operation Management. Together with professional logistics staff as the driver of the system, the Group ensures quick turnaround and swift delivery for the customers.



Brands of Components 元器件品牌



ABLIC Inc.

天線診斷 ICs、複合 ICs、便利型定時器、EDLC 保護 ICs、車載用電池保護 ICs、磁性傳感器 IC(霍爾 IC) CMOS 運算放大器、實時時鐘、串列 EEPROMs(SPI, I2C, Microwire)、電壓檢測器 (Reset ICs)、電壓穩壓器 (LDO)、看門狗定時器

Antenna Diagnosis ICs, Composite ICs, Convenience Timer, EDLC Protection ICs, Li-ion Battery Protection ICs, Magnetic Sensor ICs (Hall Effect ICs), Operational Amplifiers, Real-Time Clock ICs, Serial EEPROMs (SPI, I2C, Microwire), Voltage Detectors (Reset ICs), Voltage Regulators (LDO), Watchdog Timer



Allystar Technology Ltd.

單晶片 GNSS 解決方案
SOC GNSS Solution



Asahi Kasei Microdevices Corporation

模擬編碼器晶片、音頻數據轉換器、音頻數位信號處理器、自動對焦及光學影像驅動器、電流傳感器、電子指南針 (羅盤)、霍爾 IC / 霍爾元件、紅外線感應器

Analog Encoder Chip, Audio Data Converter, Audio DSP, Auto Focus and OIS Driver, Current Sensor, E-Compass, Hall IC & Hall Element, Infrared Sensors



ARM Ltd.

提供全球網絡設備連接、安全連接及雲端服務
Provides global connectivity for network device, security and the cloud service



BELDEN Incorporation

提供高附加值的定制化產品和服務，尤其應用汽車及工業機械人的電纜
Provides high value-added customized products and services, especially professional cables for automotive and industrial robots.



Dexerials

導方向性電膠膜、防反光膜、光學伸縮性合成樹脂
Anisotropic Conductive Film (ACF), AR-Film, Optical Elasticity Resin (SVR)



eSOL Co Ltd.

實時操作系統、應用中間件、汽車軟件、工廠自動化 / 機器人、工程服務、專業和諮詢服務
Real-Time Operating Systems, Application Middleware, Automotive Software, Factory Automation / Robotic, Engineering Services, Professional Services & Consulting



Fibocom Wireless Inc.

產品全面涵蓋 5G、LTE、SoC、NB-IoT/eMTC、HSPA+ 及 GSM/GPRS 無線通信模組，為電子消費類終端、POS、電力、表計、安防、家電、汽車等行業客戶提供更完善的 IoT 物聯網和 IoV 車聯網解決方案
The main product lines include 5G, LTE, SoC, NB-IoT/eMTC, HSPA+ and GSM/GPRS wireless modules. Empowering customers from industries of consumer electronics, wireless payment, metering, security surveillance and connected cars



GPI International Ltd.

一次性電池：鹼性、碳性、9V 電池：(CR、SR 及 LR 鈕型電池) 充電電池：鎳氫、鋰離子、18650 充電電池
Primary Battery: Alkaline, Carbon Zinc, Lithium 9V Battery : (CR, SR & LR Coin Battery)
Rechargeable Battery: NiMH, Li-ion, 18650 Rechargeable Battery



Iriso Electronics Co Ltd.

板對板連接器、軟板連接器、柔性扁平排線連接器、汽車電源介面
B to B Connector, FPC, FFC, Automotive Interface



Isahaya Electronics Corporation

DC-DC 直流變壓器、IGBT 驅動器、多功能電晶體、小訊號電晶體、小訊號 MOSFET
DC-DC Converter, IGBT Driver, Multi Function Transistors (MFT), Small Signal Transistor, Small Signal MOSFET



Micro Commercial Components Corporation (Taiwan)

二極體、電晶體、穩壓器、MOSFET、保護設備
Diodes, Transistors, Voltage Regulators, MOSFET, Protection Devices

Brands of Components 元器件品牌



Microchip Technology Inc.

8 位/16 位/32 位 PIC 微處理器、放大器與線性器件、數據轉換器、介面電路產品、LED 驅動器、存儲器、觸控和輸入檢測、安全/安防、溫度管理、無線
8bit/16bit/32bit PIC Microcontrollers, Amplifiers and Linear, Data Converters, Interface Circuit Products, LED Driver, Memory, Touch and Input Detection, Security, Temperature Management, Wireless



Murata Manufacturing Co Ltd.

電容器、電感器、降噪元件/EMI 降噪濾波器、電阻器、時脈元件、聲象機器及通信設備用濾波器、射頻元件/ 模組、傳感器、熱敏電阻、電源、聲音元件、微型機電產品。陶瓷應用產品、負離子產生器、臭氧產生器、硬幣型二氧化錳鋰電池

Capacitors, Inductors (Coils), Noise Suppression Products/EMI Suppression Filters, Resistors, Timing Devices, Filters for Audio Visual & Communication Equipment, RF Components/Modules, Sensors, Thermistors, Power Supplies, Sound Components, Micromechatronics, Ceramic Applied Products, Ionissimo®, Ozone Generator, Coin Manganese Dioxide Lithium Batteries.



Nippon Chemi-Con Corporation

鋁電解電容器、導電性高分子回體鋁電解電容器、導電性高分子混合型鋁電解電容器、超級電容器、薄膜電容器、陶瓷壓敏電阻器、納米結晶合金/非晶/壓粉扼流線圈

Aluminum Electrolytic Capacitors, Conductive Polymer Aluminum Solid Capacitors, Conductive Polymer Hybrid Aluminum Electrolytic Capacitors, Electric Double Layer Capacitors, Film Capacitors, Metal Oxide Varistors, Nanocrystalline/Amorphous/Dust Choke Coils



New Japan Radio Co., Ltd.

New Japan Radio Co Ltd.

運算放大器及比較器、音頻及視頻 IC、電源 IC、電動機 IC、通訊 IC、GaAs 開關及放大器、LED 驅動器、LCD 驅動器、晶體振盪器 IC、光電半導體、脈搏及血氧反射式光電傳感器、MEMS 麥克風放大器及傳感器

Operational Amplifiers & Comparators, Audio & Video IC, Power IC, Motor IC, Communication IC, GaAs Switches & LNA, LED Drivers, LCD Drivers, Quartz Crystal Oscillator IC, Optoelectronic Devices, Reflective Type Optical Sensor for Pulse Oximeter and Heart Beat Monitors, MEMS Microphone Amplifier and Transducer



Oike & Co Ltd.

功能性轉印膜 (金屬轉印膜及功能性轉印膜)、金屬箔粉 (金屬加飾膜及金屬 Leaf Powder)
Metallic Molding Film (Step Film), Metallic Powder (LG Neo & Leaf Powder)



Rectron Ltd.

橋式整流器、高效率二極體、蕭特基二極體、整流二極體
Bridge Rectifier, High Efficiency Rectifier, Schottky Barrier Rectifier, Silicon Rectifier



SanKen Electric Co Ltd.

汽車驅動及電源 IC、IGBT、智能功率模塊、馬達控制 IC、功率快恢二極管、電源管理 IC、功率晶體管、碳化矽 (SiC) 肖特基二極管、TVS 二極管

Automotive Driver ICs, IGBTs, IPMs, Motor Control ICs, Power FRD, Power Management ICs, Power Transistors, SiC Schottky Diodes, TVS Diode



SCHOTT Japan Corporation

汽車、壓縮機密封端子、頻率控制、大型密封鎖通件、光通信、特殊玻璃和溫度保險絲
Automotive, Compressor Seals, Frequency Control, Large-Scale Feedthroughs, Opto-Electronics, Specialty Glass, Thermal Cutoffs



SMK Corporation

車載電子、連接器、插頭插座、手機配件、遙控器、端子、觸控面板、開關
Automotive Electronics, Connectors, Jacks, Telecom, Remote Controls, Terminals, Touch Panels, Switches



Sony Corporation of Hong Kong Ltd.

CMOS 圖像感應器
CMOS Sensor



STMicroelectronics

交流 - 直流轉換器、直流 - 直流轉換器、AM/FM 調諧 IC、音頻功率放大器、音效處理器、雙極電晶體、汽車音響和汽車專用 IC、低功耗藍芽(BLE) 晶片、CD 伺服器、電子抹除式可複寫唯讀記憶體、靜電保護器、衛星定位導航處理器、家用音響、絕緣柵雙極電晶體、智慧功率模組、照明控制 IC (電子安定器、節能燈、LED)、微機電系統傳感器、微機電麥克風、微處理器及嵌入式微處理器、金屬半場效電晶體、馬達控制 IC 和 IGBT / 驅動器、近場通信 / 射頻識別、運算放大器、汽車等級 32 位微處理器、整流器、傳感器、碳化矽(SiC) 場效應電晶體、雙向可控矽、高側功率驅動晶片、穩壓器、無線充電 SoC
AC-DC, DC-DC, AM/FM Tuner IC, Audio Power Amplifier, Audio Processor, Bipolar, Car Audio and Automotive ICs, Bluetooth (BLE) IC, CD Servo IC, EEPROM, ESD Protection, GPS Processor, Home Audio, IGBT, IPM, Lighting ICs (Ballast, CFL, LED), MEMS, MEMS Microphone, Microcontrollers and Embedded Microprocessors, MOSFET, Motor Control IC and IGBT/Driver, NFC/RFID Operational Amplifier, Power PC MCU, Rectifier, Sensors, Silicon Carbide (SiC) MOSFET, Triac VIPOWER, Voltage Regulator, Wireless Charging SoC



Stanley Electric Co Ltd.

LED 器件、光敏電晶體、紅外發光二極管、反射傳感器、液晶顯示模組
LED Device, Photo Transistor, IRED, Reflector Sensor, LCD Module



Susumu Co Ltd.

薄膜片式高精度電阻器、電流檢測用片式低電阻器、功率電感、高頻衰減器
Thinfilm Surface Mount High Precision Resistor, Current Sensing Surface Mount Resistors, Power Choke Coils, High Frequency Surface Mount Components



Tamura Corporation of China Ltd.

電流傳感器、IGBT/SiC/MOSFET 驅動器模組、電源模組
Current Sensor, IGBT/SiC/MOSFET Driver Module, Power Supply Module



TOMOHO Technology Ltd.

警報器、探測器、溫濕度傳感器、傳感器
Alarm, Detector, Temperature and Humidity Sensors, Sensor



Torex Semiconductor Ltd.

電池充電 IC、電荷泵、DC/DC 轉換器、二極體、負載開關、MOSFET、振盪器 IC、PLL 時脈產生器、溫度傳感器、電壓檢測器、電壓調整器
Battery Charge IC, Charge Pump, DC/DC Converters, Diodes, Load Switches, MOSFET, Oscillator IC, PLL Clock Generator, Temperature Sensor, Voltage Detectors, Voltage Regulators



Vishay Intertechnology Inc.

鋁電解電容、橋式整流器、安規電容、強電流功率電容、薄膜電容、紅外發射 / 接收、極高壓電阻、MicroBUCK 穩壓器、MLCC、MOSFET、光傳感器、光耦、功率 IC、電源模組、Power Metal Strip 電阻、肖特基二極體、鉭電容、薄膜 / 厚膜電阻、熱敏電阻、功率電感器、TVS 二極體、快恢復二極體
Aluminum Capacitor, Bridge Rectifier, Ceramic Safety Capacitor, ESTA, Film Capacitor, IR Emitter / Receiver, MCB, MicroBUCK Regulator, MLCC, MOSFET, Optical Sensor, Opto Coupler, Power IC, Power Modules, Power Metal Strip Resistor, Schottley Diode, Tantalum Capacitor, Thin/Thick Resistor, Thermistor, Inductor, TVS Diode, Ultrafast Recovery Diode

歡迎聯絡我們了解專業設計意見
Connect with our solution expert





汽車電子 / 信息娛樂方案 Automotive / Infotainment Solution

BMS 系統 BMS System

方案特色 Features:

- E9963/L9963高精度 AFE 提供精準電芯電壓采集
E9963/L9963 high precision AFE provides precise cell voltage
- SPC58高性能 MCU 提供強大運算能力
SPC58 high performance MCU provides powerful computing power
- VIPower 智能 MOS 提供可靠負載驅動能力
VIPower intelligent MOS provides reliable load driving capability



應用範圍 Target Applications:

- 新能源汽車 EV-CAR

車門域控制系統 Door Zone Control

方案特色 Features:

- 高集成度，包括開關和控制單元都佈置在車門內部，車門之間通過總線進行通信，有效降低產品的總體成本。
Highly integrated and cost reductions in electronic components
- 集成 Fail safe 模式以及熱保護功能
Integrated fail safe mode. Thermal shutdown protection
- 集成可編程 soft-start 功能，有效的限制了沖擊電流對負載的影響
Programmable soft-start function to drive loads with higher inrush currents as current
- 自動恢復功能與 VBAT 強制 standby 功能，使產品更加智能
Forced VBAT standby and auto recovery



應用範圍 Target Applications:

- 乘用車 Passenger vehicle

新能源矢量冷卻風扇 FOC Cooling Fan for New EV

方案特色 Features:

- 高性能 SPC560P 系列 MCU
High-performance MCU SPC560P series
- 智慧型具有故障診斷系統的半橋驅動 L9907/8
Intelligent half-bridge driver L9907/8 with full diagnostic
- 低損耗的 MOSFET
MOSFET with very low Rds-on



應用範圍 Target Applications:

- 新能源車動力電池散熱
E-car power battery heat dissipation
- 驅動電機電控散熱
E-car motor driver heat dissipation
- 汽車空調系統散熱
Automotive air conditioning system

無刷變頻水泵 BLDC Water Pump

方案特色 Features:

- 8位車規級 MCU，成本低
8-bit MCU with low cost
- 具有 BEMF 檢測和硬體保護功能的半橋驅動 L99ASC03
The half-bridge driver L99ASC03 with BEMF detection and hardware protection
- 體積小，低損耗 MOSFET
The MOSFET with small size and low Rds-on



應用範圍 Target Applications:

- 車用小型直流無刷風扇，水泵，油泵控制
For automotive application, such as small BLDC fan, water pump and oil pump

CMOS 鏡頭 CMOS Sensor Camera

方案特色 Features:

- ISX019
- 120萬像素，1/4"，2.9um，背照式，單晶片
1.2M, 1/4", 2.9um, BI, SoC
- 高動態範圍 120dB (30fps @ DOL 3F)
High dynamic range 120dB (30fps@DOL 3F)
- 出色的低感光度
Excellent low light sensitivity
- 超級對比度/分辨率提高可見度
Super contrast/resolution improve visibility
- 低功耗 250mw (Typ)
Low power consumption 250mw(Typ)
- 符合 AEC-Q100 2級標準
Qualification AEC-Q100 grade2



應用範圍 Target Applications:

- 360環視 360 surround view
- 流媒體後視鏡 Streaming rearview mirror
- 盲點監視 Blind spot surveillance
- 車內監視 Interior surveillance
- 行車記錄儀 Driving recorder

數字收音機 + 音效 + 功放 Digital Car Tuner + DSP + AMP

方案特色 Features:

- AKM AK7765 是一款高性能、低成本的 DSP，適用於帶 Radio、音頻處理包括 ADC 和 DAC 的汽車娛樂系統應用。
AKM AK7765 is a high-performance, low-cost DSP for automotive infotainment system applications with Radio, audio processing including ADCs and DACs.



應用範圍 Target Applications:

- 汽車導航系統 Car navigation systems
- 汽車音響 Car audio
- 汽車相關的音頻系統 Car-related audio systems



物聯網應用方案 Internet of Things Solution

ZigBee / BLE 模組 (STM32WB) ZigBee / BLE Module (STM32WB)

方案特色 Features:

基于STM32WB的ZigBee & BLE 多模無線通訊模塊
ZigBee & BLE Multiprotocol wireless module based on STM32WB

- 支援藍牙BLE 5.0 MESH無線通訊協議
Support Bluetooth 5.0 MESH protocol
- 支援ZigBee 3.0無線通訊協議
Support ZigBee 3.0 protocol
- 支持MAC 802.15.4無線通訊協議
Support MAC 802.15.4 protocol



應用範圍 Target Applications:

- 智能家居 Smart home
- 工業智能網 Industrial networking
- 電子門鎖 Electronic door lock

BLE 模組 (BlueNRG) BLE Module (BlueNRG)

方案特色 Features:

- 內置ST BlueNRG-1/2 BLE 單芯片
Embedded with ST BlueNRG-1/2 BLE SoC
- 符合藍牙V4.2/V5.0低功耗規範
Fully Qualified Bluetooth Smart V4.2/V5.0 specification
- Cortex M0 MCU 內核帶 160kB/256kB 閃存，24kB RAM
Cortex M0 MCU core with 160kB/256kB flash memory, 24k RAM
- 支持2主3從連接
Support up to 2 masters and 3 slaves connections
- 適合使用鈕扣型電池的2.0V – 3.6V 工作電壓
Coin battery friendly 2.0V – 3.6V operation
- 低功耗
Low power consumption
- 內置PCB天線
Build-in PCB antenna



應用範圍 Target Applications:

- 低功耗物聯網產品 Low power consumption IoT device
- 醫療保健監控 Healthcare monitoring
- 體育和健身器材 Sports and fitness equipment

藍牙斷路器 Bluetooth Circuit

方案特色 Features:

- BlueNRG-LP 藍牙®5.0低功耗無線系統芯片
BlueNRG-LP Bluetooth® 5.0 low energy wireless system-on-chip
- VIPER16LD 低功耗開關電源解決方案
VIPER16LD low-power switching power supply solution
- STM8S003xx 系列 MCU 提供高性能和降低系統成本
STM8S003xx series MCU provides high performance and reduced system cost



應用範圍 Target Applications:

- 電表 Electric meter



NB-IoT/4G 模組 NB-IoT/4G Module

基于廣和通的NB-IoT/4G無線模組實現ARM Pelion部署
Deploy the ARM Pelion iCloud based on Fibocom's NB-IoT/4G Module

方案特色 Features:

- 透過廣和通的NB-IoT模塊(N700-58)/4G模塊(NL668-CN)通過ARM Pelion物聯網平台可以幫助企業用戶在日趨複雜的碎片化場景下實現混合環境下的端到端物聯網連接、設備和數據管理，並能使用戶專注於業務邏輯和產品開發
Through Fibocom's NB-IoT Module (N700-58)/4G Module (NL668-CN) and ARM Pelion IoT platform, enterprise users can realize end-to-end Internet of things connection, device and data management in a mixed environment in the increasingly complex fragmentation scenario, and focus on business logic and product development
- Pelion可以幫助您輕鬆地從設備獲取資料而不需要犧牲安全性。Pelion Connectivity Management允許通過單一的全球移動合同，在多個網路標準上實現物聯網設備在全球任何地方完成部署
Pelion helps you to get from device to data easily without compromising on security. Pelion Connectivity Management allows IoT devices to be deployed anywhere in the world over multiple network standards through a single global mobile contract



應用範圍 Target Applications:

- 智慧家居 Smart home
- 固定資產管理 Fixed-assets management
- 工業IoT Industry IoT Network

智慧垃圾治理系統 Smart Waste Management

基於ARM PELION設備管理平台的市政垃圾分類管理系統，能通過檢測小區垃圾桶的狀態和類型，及時匯總信息到市政管理平台，再由市政環衛根據掌握的實時信息，安排不同的轉運車輛及時處理，從而提高城市垃圾處理效率，降低垃圾轉運的成本，充分體現了智慧城市的優越性。

Smart waste system based on the ARM PELION platform can collect the data in time by detecting the status and type of the trash bin in the community. The environmental department arrange different transfer vehicles for timely disposal according to the real-time information mastered. Thereby improving the efficiency of urban waste management and reducing the cost of waste transfer, which fully reflects the superiority of smart cities.



電機驅動方案 Motor Control Solution

無位置檢測滾筒洗衣機 Sensorless Front Load Washing Machine

方案特色 Features:

使用STM32F301K8最有性價比的CortexM4去驅動無傳感的洗衣機，功率部分使用STM SLLIMM 2nd IPM STGIB8CH60TS-L

Use the most cost-effective CortexM4 of the STM32F301K8 to drive the sensorless washing machine, the power stage use STM SLLIMM 2nd IPM STGIB8CH60TS-L



應用範圍 Target Applications:

- 無位置檢測滾筒洗衣機 Washing machine
- 商用攪拌機 Blender
- 工業水泵 Industrial water pump

IPM 電機驅動 IPM Motor Drive

方案特色 Features:

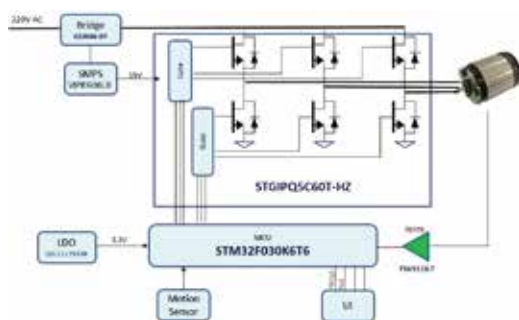
使用STM32F030K6和ST SLLIMM™ nano 2nd IPM，單電阻採樣無霍爾傳感FOC方案

Using the STM32F030K6 and ST SLLIMM™ nano 2nd IPM, One shunt for current sensing without hall FOC Solution



應用範圍 Target Applications:

- 空調風機 / 空氣淨化器風機 Air conditioner fan/ Air cleaner
- 冰箱壓縮機 Refrigerator compressor
- 自動洗碗機熱水泵 Hot water pump for dishwasher
- 吹風機 Hair dryer



高速低壓矢量電機驅動 High-Speed Low-Voltage FOC Motor Driver

方案特色 Features:

基於STSPIN32F0的低壓高速電機驅動，最大限度的節省外圍元件和成本

Based on STSPIN32F0, high speed and low voltage motor drive maximize the savings of peripheral components and cost



應用範圍 Target Applications:

- 洗碗機 Dishwasher
- 低壓風扇 Low voltage fan
- 低壓水泵 Low voltage water pump
- 電動工具 Power tools
- 工業過程電機控制 Industrial process motor
- 無線吸塵器 Wireless vacuum cleaner

高壓集成控制電機驅動 High Voltage Integrated Control Motor Driver

方案特色 Features:

基於STSPIN32F0601的高壓高速電機驅動，最大限度的節省外圍元件和成本

Based on STSPIN32F0601, high speed and high voltage motor drive maximize the savings of peripheral components and cost



應用範圍 Target Applications:

- 空調風機 / 空氣淨化器風機 Air conditioner fan/ Air cleaner
- 冰箱壓縮機 Refrigerator compressor
- 自動洗碗機熱水泵 Hot water pump for dishwasher
- 吹風機 Hair dryer





電機開關電源 / 智能照明方案 SMPS/Smart LED Solution

智能電表電源 Smart Meter SMPS

方案特色 Features:

- 以智能電表為基礎構建的智能計量系統，能夠支持智能電網對負荷管理、分散式電源接入、能源效率、電網調度、電力市場交易和減少排放等方面的要求，因此智能電表的應用越來越普遍，對智能電表所採用的電源的可靠性和性能的要求也越來越高，傳統的工頻變壓器已經很難勝任這一任務，然而ST最新開發的1050V耐壓的VIPER系列開關電源可以很好地勝任這個應用。

The intelligent metering system built on smart meters can fulfil the requirements of smart power grids for load management, distributed power access, energy efficiency, grid dispatching, electricity market transactions and emission reduction. Generally, the requirements for the reliability and performance of the power supply used by smart meters are becoming higher and higher. Traditional power frequency transformers have been difficult to perform this task. However, the latest 1050V VIPER series SMPS developed by ST can be well qualified for this application.



應用範圍 Target Applications:

- 單相/三相智能電表電源
Power supply for 1 and 3-phase smart energy meters
- 三相工業電器系統輔助電源 3-phase industrial systems
- 寬電壓大功率 Ultra-wide voltage range
- LED照明電源 High power LED lighting
- 空調系統電源 Air conditioning

數字電源 Digital Power

方案特色 Features:

- 數位控制，內置固件，無需編程
Digital control, Controller built-in firmware. No programming is required.
- PFC部分 PFC section:
 - 斜坡增強固定導通時間，帶有高速和低速數位控制環路，雙環控制，極佳的THD
Ramp Enhanced Constant On Time with high speed digital loop and low speed digital loop, Double loop control, Perfect THD
 - 多模式操作 @ 中 / 重載，@ 輕負載，@ 特別輕負載
Multi-mode operation @ medium / high loads, @ low load, @ very low load
- 半橋部分 Half bridge section:
 - LLC或LCC，電流模式，時間偏移控制，增強保護特性，可編程突發模式
LLC or LCC, current-mode operation, Time-shift control, Advanced protections, Programmable Burst mode
- FTP (NVM) 存儲器允許更改IC內部參數去滿足不同的應用場合包括在生產過程中
FTP (NVM) memory allows adapting the IC to different applications by programming several K-parameters during manufacturing



應用範圍 Target Applications:

- 智能照明控制 Intelligent lighting control

數字可編程調光器 Digital Programmable Dimmer

數字可編程調光器 Digital Programmable Dimmer

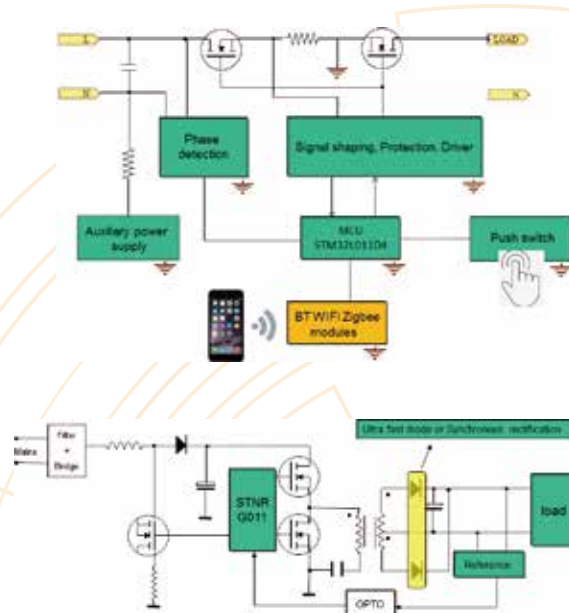
方案特色 Features:

- MCU+MOSFET拓撲結構，相容R,L,C負載
MCU+ MOSFET topology, Compatible with R, L, C loads
- 具備UART通信介面，採用塗鴉智能的通信協議，相容BT/WIFI/Zigbee模組，可採用App操控
UART communication port available, Adopt TUYA communication protocol for BT/WIFI/Zigbee modules, App Control
- 可程控化相位角設定，智能控制開機相位角，軟起動
Programmable phase angle setting, Intelligent control of phase angle in start period, Soft start
- 具備PUSH開關遠距離操控功能
Push switch remote control function
- 全數位化，抗干擾能力強，具備各種保護
Digital control, Strong anti-interference capability and protection



應用範圍 Target Applications:

- 高效率照明控制 High efficiency and energy saving lighting control
- 智能照明控制 Intelligent lighting control



Reference Solutions 參考方案



電機開關電源 / 智能照明方案 SMPS/Smart LED Solution

多功能調光 LED 驅動 Multi-Function Dimming LED Driver

方案特色 Features:

多功能 Multiply function:

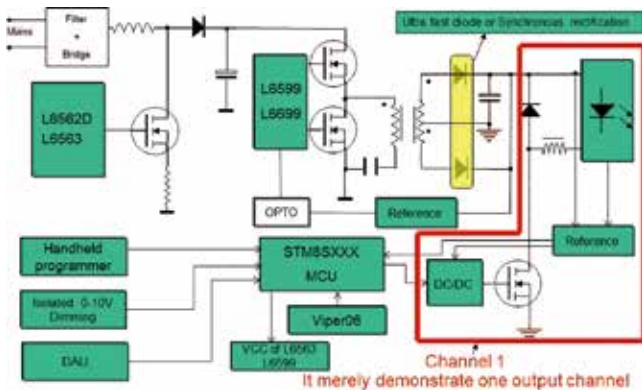
- 二通道輸出
Two-channel output
- 手持編程器調整輸出參數
Handheld programmer adjusts output parameters
- 內置多條調光曲線，可以對每個通道的調光曲線進行獨立編程
Built - in multiple dimming curves, Reprogrammable two independent dimming curve, one per channel.
- DALI，0-10V 調光信號控制，記錄工作時間
DALI，0-10V Dimming, Record working hours
- 可以設定過溫保護曲線以及 NTC 曲線
Setting over temperature protection curve and NTC curve
- 可以擴展 Wi-Fi BT RF Zigbee
Wi-Fi BT RF Zigbee can be extended

性能 Performance:

- 符合 Class2 要求
Meet Class2 specification
- 兼容有源/無源調光器，符合 ANSI E1.3 - 2001 (R2011) 0-10V 調光接口標準
Support active and passive dimmer ANSI E1.3 - 2001 (R2011) 0 to 10 V analog control specification
- DALI2
Meet DALI2
- CV 或者 CC 模式
CV or CC mode
- 完善的保護，UL LISTED，CLASS P
Perfect protection: UL LISTED, CLASS P

應用範圍 Target Applications:

- 智能照明控制 Intelligent lighting control



帶 NFC 控制 LED 調光驅動 LED Dimming Driver w/NFC Interface

方案特色 Features:

速度，靈活性 Speedy, Flexibility:

- 可以在任何時間場合通過 NFC 介面設定輸出參數
Setting output parameter through NFC interface at any stage
- 採用高速讀寫卡器讀寫，不需要複雜的機器
Programing fixtures faster without complex mechanics

安全性 Security:

- 可以設置和保護專門的識別信息，也可以根據存儲的信息方便地找到替換品
Set and protect proprietary info. Find correct replacement driver

降低成本 Reduced cost:

- 可以滿足不同的客戶快速，方便地調整產品的輸出參數
Meet a diverse set of customer Easily adjust devices

應用範圍 Target Applications:

- 智能照明控制 Intelligent lighting control

High-end segment



Low-end segment



香港 Hong Kong

集團總部 Corporate Headquarters

Willas-Array Electronics (Holdings) Limited
威雅利電子(集團)有限公司


Array Electronics (China) Limited
雅利電子(中國)有限公司

Willas-Array Electronics (Hong Kong) Limited
威雅利電子(香港)有限公司

 香港新界葵涌大連排道200號偉倫中心第二期24樓
24/F, Wyler Centre, Phase 2, 200 Tai Lin Pai Road,
Kwai Chung, New Territories, Hong Kong

 電話 Phone : (852) 2418 3700

 傳真 Fax : (852) 2481 6993

 電郵 Email : hk-sales@willas-array.com




物流中心 Logistics Centre

 香港新界葵涌三號貨櫃碼頭亞洲貨櫃物流中心B座
五樓 5017-5020及 5023-5027室西翼
Gridlines 5017W-5020W and 5023W-5027W,
5/F, ATL Logistics Centre B, Berth No. 3,
Kwai Chung Container Terminal,
Kwai Chung, New Territories, Hong Kong

台灣 Taiwan


台北辦事處 Taipei Office

Willas-Array Electronics (Taiwan) Inc.
台灣威雅利電子股份有限公司

 台灣台北市內湖區洲子街77號2樓
2F, No.77, Zhou Zi Street, Nei Hu District,
Taipei, Taiwan

 郵編 Postcode : 11493

 電話 Phone : (886) 2 2656 0515

 傳真 Fax : (886) 2 2656 0595

 電郵 Email : wat-sales@willas-array.com



Contact Us 聯繫我們

南中國 Southern China

南區運營中心 Southern China Regional Headquarters

Willas-Array Electronics (Shenzhen) Limited 威雅利電子(深圳)有限公司

-  中國深圳市福田區深南大道 6033 號
金運世紀大廈 14 樓
14/F, Jinyun Century Building, 6033 Shennan Main Road,
Futian District, Shenzhen, PR China
-  郵編 Postcode : 518031
-  電話 Phone : (86) 755 8829 5600
-  傳真 Fax : (86) 755 8829 5799
-  電郵 Email : fsz-sales@willas-array.com
-  QQ : 1464307691

中山分公司 Zhongshan Branch

Willas-Array Electronics (Shenzhen) Limited 威雅利電子(深圳)有限公司

-  中國中山市東區中山三路 16 號之三國際金融中心
19 層 12 單元
Unit 12, 19/F, International Financial Center,
No.16 Zhongshan 3 Road, East District,
Zhongshan, PR China
-  郵編 Postcode : 528403
-  電話 Phone : (86) 760 8866 8995
-  傳真 Fax : (86) 760 8866 8991
-  電郵 Email : fsz-sales@willas-array.com

廣州辦事處 Guangzhou Office

Willas-Array Electronics (Hong Kong) Limited 威雅利電子(香港)有限公司

-  中國廣州市中山四路 246 號信德商務大廈
36 樓 3603-3605 室
Room 3603-3605, 36/F, Shun Tak Business Centre,
246 Zhong Shan Road 4, Guangzhou, PR China
-  郵編 Postcode : 510030
-  電話 Phone : (86) 20 8363 5521
-  傳真 Fax : (86) 20 8363 5879
-  電郵 Email : fgz-sales@willas-array.com



廈門辦事處 Xiamen Office

Willas-Array Electronics (Hong Kong) Limited 威雅利電子(香港)有限公司

-  中國福建省廈門市湖濱南路 90 號立信廣場
18 樓 10 單元
Unit 10, 18/F, Li Xin Guang Chang ,
90 South Hubin Road, Xiamen, PR China
-  郵編 Postcode : 361004
-  電話 Phone : (86) 592 589 6698
-  傳真 Fax : (86) 592 589 6699
-  電郵 Email : fxm-sales@willas-array.com

當地支援服務地區 Local Service Area
Fuzhou 福州

北中國 Northern China

北區運營中心 Northern China Regional Headquarters

Willas-Array Electronics (Shanghai) Limited 威雅利電子(上海)有限公司

- 中國上海市普陀區中山北路3000號
長城大廈33樓
33/F International Corporate City,
3000 North Zhongshan Road, Shanghai, PR China
- 郵編 Postcode : 200063
- 電話 Phone : (86) 21 6065 0288
- 傳真 Fax : (86) 21 6065 0299
- 電郵 Email : ssh-sales@willas-array.com
- QQ : 2758863139 (貿易組)

當地支援服務地區 Local Service Area

錦州、西安、南京、武漢、杭州、合肥、成都
Jinzhou, Xian, Nanjing, Wuhan, Hangzhou, Hefei, Chengdu

北京分公司 Beijing Branch

Willas-Array Electronics (Shanghai) Limited 威雅利電子(上海)有限公司

- 中國北京市豐台區豐台北路18號金唐中心
D座0805室
Room 0805, Building D, Jintang Center,
No.18, Fengtai North Road, Fengtai District,
Beijing, PR China
- 郵編 Postcode : 100071
- 電話 Phone : (86) 10 8251 1738
- 傳真 Fax : (86) 10 8251 1739
- 電郵 Email : sbj-sales@willas-array.com

當地支援服務地區 Local Service Area

Shenyang 瀋陽

青島分公司 Qingdao Branch

Willas-Array Electronics (Shanghai) Limited 威雅利電子(上海)有限公司

- 中國青島市香港中路12號豐合廣場B區602室
Room 602, Block B, Fullhope Plaza,
No.12 Xiang Gang Zhong Road, Qingdao, PR China
- 郵編 Postcode : 266071
- 電話 Phone : (86) 532 8502 8901
- 傳真 Fax : (86) 532 8502 8793
- 電郵 Email : sqd-sales@willas-array.com

重慶分公司 Chongqing Branch

Willas-Array Electronics (Shanghai) Limited 威雅利電子(上海)有限公司

- 中國重慶市渝北區金開大道1590號
兩江盛景804室
Room 804, 8/F, Liangjiang Shengjing Building,
1590 Jinkai Avenue, Yubei District, Chongqing,
PR China
- 郵編 Postcode : 401122
- 電話 Phone : (86) 23 6282 1751
- 傳真 Fax : (86) 23 6806 1135
- 電郵 Email : scq-sales@willas-array.com

物流中心 Logistics Centre

- 中國(上海)自由貿易試驗區希雅路69號
16棟5樓B部位
Unit B, 5/F, Block 16, 69 Xiya Road,
China(Shanghai) Pilot Free Trade Zone, PR China
- 郵編 Postcode : 200131
- 中國上海市浦東新區金穗路1501號2棟302室
Room 302, Block 2, No.1501 Jinsui Road,
Shanghai, PR China
- 郵編 Postcode : 201206



威雅利電子微信

威星人表情包



用微信掃一掃吧

香港總部

電話：(852) 2418 3700

南中國辦事處

深圳 電話：(86) 755 8829 5600

中山 電話：(86) 760 8866 8995

廣州 電話：(86) 20 8363 5521

廈門 電話：(86) 592 589 6698

北中國辦事處

上海 電話：(86) 21 6065 0288

北京 電話：(86) 10 8251 1738

青島 電話：(86) 532 8502 8901

重慶 電話：(86) 23 6282 1751

台北辦事處

臺北 電話：(886) 2 2656 0515

當地支持服務地區

福州 電話：(86) 592 589 6698

沈陽 電話：(86) 10 8251 1738

錦州、西安、南京、武漢、杭州、合肥、成都 電話：(86) 21 6065 0288

www.willas-array.com